

# AXIS XC1311 Explosion-Protected Horn Speaker

Class/Division 1- and Zone 1-certified network horn speaker

Certified worldwide for hazardous areas (Class I Div 1, Zone 1 IIC), this all-in-one network horn speaker enables live, scheduled, and event-triggered voice messages. For example, real-time severe weather alerts, or prerecorded reminders to wear personal protective equipment when an analytics-equipped camera detects it's missing. Messages come through loud and clear – even in noisy environments – thanks to the horn and built-in digital signal processing. PoE makes installation easy, with one cable for both power and connectivity. Furthermore, AXIS Audio Manager Edge comes preinstalled so you can remotely monitor system health, set and prioritize content, and configure zones and user permissions.

- > **All-in-one standalone device**
- > **Connects to standard network**
- > **Worldwide hazardous area certifications**
- > **Easy to install, configure, and use**
- > **Flexible, scalable, and cost-effective**



# AXIS XC1311 Explosion-Protected Horn Speaker

## Audio hardware

<b>Enclosure</b>	One way enclosure with 2.5 inches broadband dynamic cone speaker
<b>Max sound pressure level</b>	>110 dB at 1 m distance
<b>Frequency response</b>	280 Hz - 12.5 kHz
<b>Coverage pattern</b>	70° horizontal by 100° vertical (at 2 kHz)
<b>Audio input/output</b>	Built-in speaker
<b>Amplifier description</b>	Built-in 7 W Class D amplifier
<b>Digital signal processing</b>	Built-in and pre-configured

## Audio management

<b>AXIS Audio Manager Edge</b>	Built in: <ul style="list-style-type: none"> <li>– Zone management allowing you to divide up to 200 speakers into 20 zones.</li> <li>– Content management for music and live/pre-recorded announcements.</li> <li>– Scheduling to decide when and where to play content.</li> <li>– Content prioritization to ensure urgent messages interrupt the schedule.</li> <li>– Health monitoring for remote discovery of system errors.</li> <li>– User management to control who has access to what features.</li> </ul> For more details, see the datasheet on <a href="http://axis.com/products/axis-audio-manager-edge/support">axis.com/products/axis-audio-manager-edge/support</a>
<b>AXIS Audio Manager Pro</b>	For larger and more advanced systems. Sold separately. For specifications, see the datasheet on <a href="http://axis.com/products/axis-audio-manager-pro/support">axis.com/products/axis-audio-manager-pro/support</a>
<b>AXIS Audio Manager Center</b>	AXIS Audio Manager Center is a cloud service for remote access and management of multi-site systems. For specifications, see the datasheet on <a href="http://axis.com/products/axis-audio-manager-center/support">axis.com/products/axis-audio-manager-center/support</a>

## Audio software

<b>Audio streaming</b>	One-way
<b>Audio encoding</b>	AAC LC 8/16/32/48 kHz, G.711 PCM 8 kHz, G.726 ADPCM 8 kHz, Axis $\mu$ -law 16 kHz, WAV MP3 in mono/stereo from 64 kbps to 320 kbps Constant and variable bit rate Sampling rate from 8 kHz up to 48 kHz

## System integration

<b>Application Programming Interface</b>	Open API for software integration, including VAPIX®, One-click cloud connection, AXIS Camera Application Platform (ACAP).
<b>Video management systems</b>	Compatible with AXIS Companion, AXIS Camera Station, video management software from Axis' Application Development Partners available at <a href="http://axis.com/vms">axis.com/vms</a>
<b>Mass notification</b>	Singlewire InformaCast®, Intrado Revolution, Lynx, Alertus
<b>Unified communication</b>	Verified compatibility: SIP clients: 2N, Yealink, Cisco, Linphone, Grandstream PBX/SIP servers: Cisco Call Manager, Cisco BroadWorks, Avaya, Asterix, Grandstream Cloud service providers: Webex, Zoom
<b>SIP</b>	Supported SIP features: Secondary SIP server, IPv6, SRTP, SIPS, SIP TLS, DTMF (RFC2976 and RFC2833), NAT (ICE, STUN, TURN) RFC 3261: INVITE, CANCEL, BYE, REGISTER, OPTIONS, INFO DTMF (RFC 4733/RFC 2833)
<b>Event conditions</b>	Audio: audio clip playing, audio detection, speaker test result Call: state, state change Device status: IP address blocked/removed, live stream active, network lost, new IP address, system ready Edge storage: recording ongoing, storage disruption, storage health issues detected I/O: digital input, manual trigger, virtual input MQTT: subscribe Scheduled and recurring: schedule
<b>Event actions</b>	Audio: run automatic speaker test Audio clips: play, stop

I/O: toggle I/O once, toggle I/O while the rule is active  
 LEDs: flash status LED, flash status LED while the rule is active  
 Light and siren: run light profile, run light profile while the rule is active, stop activities  
 MQTT: publish  
 Notification: HTTP, HTTPS, TCP and email  
 Recordings: record audio, record audio while the rule is active  
 Security: erase configuration  
 SNMP traps: send, send while the rule is active

<b>Built-in installation aids</b>	Test tone verification and identification
<b>Functional monitoring</b>	Auto Speaker Test (verification via built-in microphone)

## Approvals

<b>Supply chain</b>	TAA compliant
<b>EMC</b>	EN 55035, EN 55032 Class A, EN 61000-6-1, EN 61000-6-2 USA: FCC Part 15 Subpart B Class A
<b>Safety</b>	CAN/CSA C22.2 No. 62368-1 ed. 3, IEC/EN/UL 62368-1 ed. 3
<b>Environment</b>	IEC 60068-2-1, IEC 60068-2-2, IEC 60068-2-14, IEC 60068-2-27, IEC 60068-2-78, IEC/EN 60529 IP66/IP67, NEMA 250 Type 4X
<b>Network</b>	NIST SP500-267
<b>Explosion</b>	CSA C22.2 No. 60079-0, CSA C22.2 No. 60079-1, CSA C22.2 No. 60079-31, IEC/EN 60079-0, IEC/EN 60079-1, IEC/EN 60079-31, UL1203, UL 60079-0, UL 60079-1, UL 60079-31

<b>Certifications</b>	ATEX II 2 G Ex db IIC T5 Gb II 2 D Ex tb IIIC T91°C Db Certificate: UL: 24 ATEX 3177X IECEX Ex db IIC T5 Gb Ex tb IIIC T91°C Db Certificate: ULD 24.0006X cULus Class I Div 1 Groups A, B, C, D T5 Class I Zone 1 AEx db IIC T5 Gb Zone 21 AEx tb IIIC T91°C Db Certificate: E538733
-----------------------	--

## Network

<b>Network protocols</b>	IPv4/v6 <sup>a</sup> , HTTP, HTTPS, SSL/TLS, QoS Layer 3 DiffServ, FTP, SFTP, CIFS/SMB, SMTP, Bonjour, UPnP™, SNMP v1/v2c/v3 (MIB-II), DNS, DynDNS, NTP, RTSP, RTP, TCP, UDP, IGMPv1/v2/v3, RTCP, ICMP, DHCP, ARP, SOCKS, SSH, NTCIP, SIP
--------------------------	---

## Cybersecurity

<b>Edge security</b>	<b>Software:</b> Signed firmware, brute force delay protection, digest authentication and OAuth 2.0 RFC6749 OpenID Authorization Code Flow for centralized ADFS account management, password protection <b>Hardware:</b> Axis Edge Vault cybersecurity platform Secure element (CC EAL 6+), Axis device ID, secure keystore, secure boot
<b>Network security</b>	IEEE 802.1X (EAP-TLS, PEAP-MSCHAPv2), IEEE 802.1AR, HTTPS/HSTS, TLS v1.2/v1.3, Network Time Security (NTS), X.509 Certificate PKI, host-based firewall

<b>Documentation</b>	<i>AXIS OS Hardening Guide</i> <i>Axis Vulnerability Management Policy</i> <i>Axis Security Development Model</i> AXIS OS Software Bill of Material (SBOM) To download documents, go to <a href="http://axis.com/support/cybersecurity/resources">axis.com/support/cybersecurity/resources</a> To read more about Axis cybersecurity support, go to <a href="http://axis.com/cybersecurity">axis.com/cybersecurity</a>
----------------------	---

## System on chip (SoC)

<b>Model</b>	NXP i.MX 8M Nano
<b>Memory</b>	1024 MB RAM, 1024 MB Flash

## General

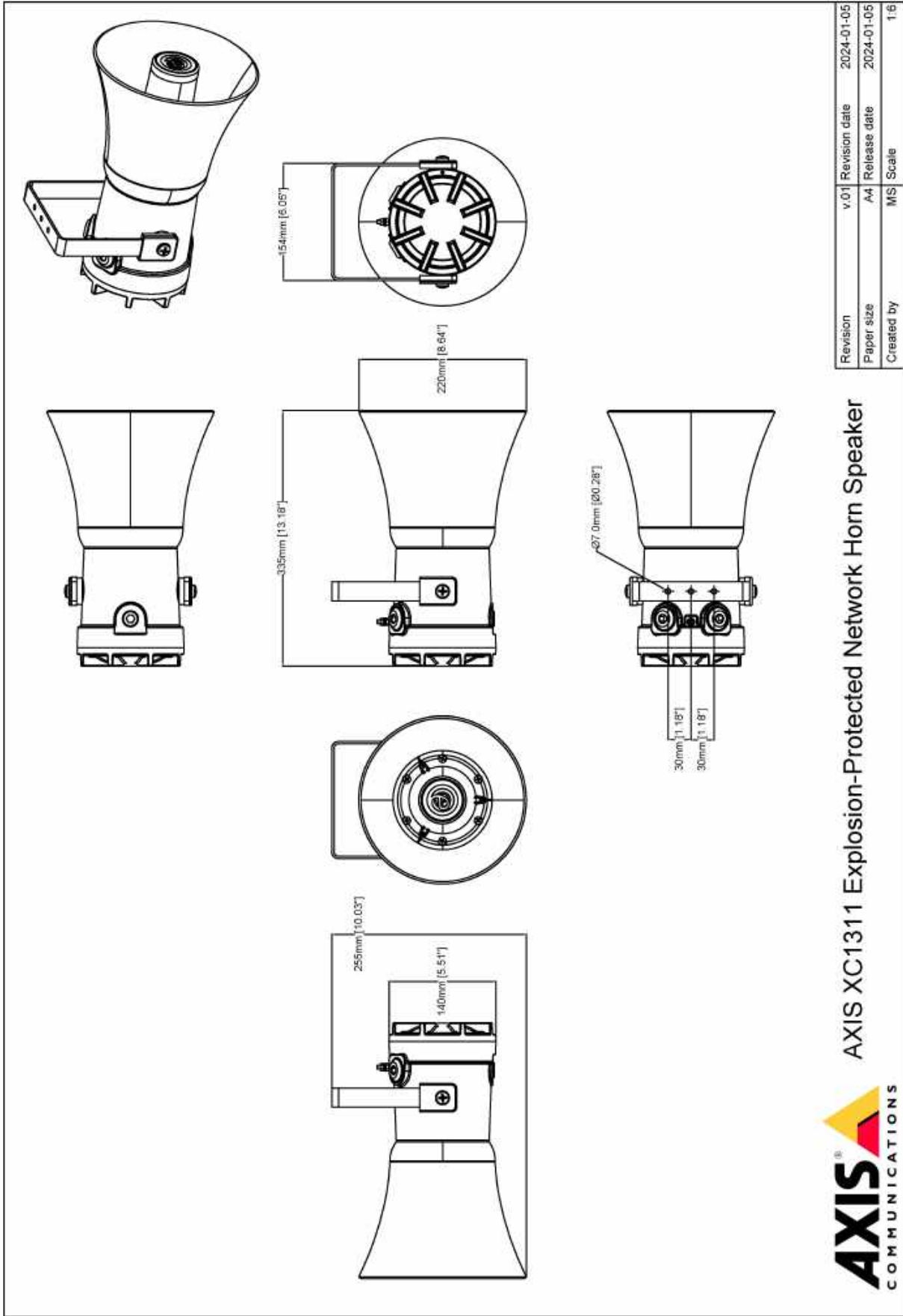
<b>Casing</b>	IP66-, IP67- and NEMA 4X-rated Impact-resistant aluminum
---------------	---

	Color: RAL 3000 M20 cable side entries (x2) 1/2" NPT cable side entry (x1)
<b>Power</b>	Power over Ethernet (PoE) IEEE 802.3af/802.3at Type 1 Class 3 Typical 7 W, max 12.95 W
<b>Connectors</b>	Network: RJ45 10BASE-T/100BASE-TX PoE
<b>Reliability</b>	Designed for 24/7 operation
<b>Operating conditions</b>	Temperature: -40 °C to 60 °C (-40 °F to 140 °F) Humidity: 10–100% RH (condensing)
<b>Storage conditions</b>	Temperature: -40 °C to 65 °C (-40 °F to 149 °F) Humidity: 5–95% RH (non-condensing)
<b>Dimensions</b>	For the overall product dimensions, see the dimension drawing in this datasheet.
<b>Weight</b>	4220 g (9.3 lb.)
<b>Box content</b>	Horn speaker, installation guide, terminal block connector, ring terminal, owner authentication key
<b>Optional accessories</b>	Pole Mount ExCam XF, Pole Mount ExCam XPT For more accessories, go to <a href="https://axis.com/products/axis-xc1311#accessories">axis.com/products/axis-xc1311#accessories</a>

<b>Languages</b>	English, German, French, Spanish, Italian, Russian, Simplified Chinese, Japanese, Korean, Portuguese, Polish, Traditional Chinese, Dutch, Czech, Swedish, Finnish, Turkish, Thai, Vietnamese
<b>Warranty</b>	5-year warranty, see <a href="https://axis.com/warranty">axis.com/warranty</a>
<b>Part numbers</b>	Available at <a href="https://axis.com/products/axis-xc1311#part-numbers">axis.com/products/axis-xc1311#part-numbers</a>
<b>Sustainability</b>	
<b>Substance control</b>	PVC free RoHS in accordance with EU RoHS Directive 2011/65/EU and EN 63000:2018 REACH in accordance with (EC) No 1907/2006. For SCIP UUID, see <a href="https://echa.europa.eu">echa.europa.eu</a>
<b>Materials</b>	Screened for conflict minerals in accordance with OECD guidelines To read more about sustainability at Axis, go to <a href="https://axis.com/about-axis/sustainability">axis.com/about-axis/sustainability</a>
<b>Environmental responsibility</b>	<a href="https://axis.com/environmental-responsibility">axis.com/environmental-responsibility</a> Axis Communications is a signatory of the UN Global Compact, read more at <a href="https://unglobalcompact.org">unglobalcompact.org</a>

a. Audio synchronization with IPv4 only.

# Dimension drawing



Revision	v.01	Revision date	2024-01-05
Paper size	A4	Release date	2024-01-05
Created by	MS	Scale	1:6

AXIS XC1311 Explosion-Protected Network Horn Speaker



www.axis.com

© 2024 Axis Communications

## Highlighted capabilities

### Axis Edge Vault

Axis Edge Vault is the hardware-based cybersecurity platform that safeguards the Axis device. It forms the foundation that all secure operations depend on and offer features to protect the device's identity, safeguard its integrity and protect sensitive information from unauthorized access. For instance, **secure boot** ensures that a device can boot only with **signed OS**, which prevents physical supply chain tampering. With signed OS, the device is also able to validate new device software before accepting to install it. And the **secure keystore** is the critical building-block for protecting cryptographic information used for secure communication (IEEE 802.1X, HTTPS, Axis device ID, access control keys etc.) against malicious extraction in the event of a security breach. The secure keystore and secure connections are provided through a Common Criteria or FIPS 140 certified hardware-based cryptographic computing module.

To read more about Axis Edge Vault, go to [axis.com/solutions/edge-vault](https://www.axis.com/solutions/edge-vault).

### AXIS Audio Manager Edge

AXIS Audio Manager Edge is a software management system that comes embedded in Axis network speakers. It lets you manage and control your local site audio system. AXIS Audio Manager Edge is suitable for small to medium sites with relatively straightforward needs.

### IP66/IP67

IP ratings (ingress protection or international protection) are defined as a two-digit code where the first digit is the

level of protection against the intrusion of solid foreign objects and the second digit is the level of protection against the intrusion of water.

IP66 – the product is dust-tight and powerful jets can't harm the product.

IP67 – the product is dust-tight and continuous submersion in water can't harm the product.

### NEMA 4X

NEMA 4X is equivalent to IP56 and provides a degree of protection of the equipment, inside the enclosure, against the ingress of solid foreign objects, the ingress of splashing or hose-directed water, the forming of ice, and corrosion.

### VAPIX

VAPIX is a registered trademark and our own open application programming interface (API). It enables the integration of our products into a wide range of solutions and platforms.

### SIP

The Session Initiation Protocol (SIP) is a protocol that initiates, maintains, and terminates multimedia sessions between different parties. Usually, these sessions consist of audio, but sometimes they consist of video. The most common applications of SIP include internet telephony for voice and video calls and instant messaging over IP networks.

For more information, see [axis.com/glossary](https://www.axis.com/glossary)